

MARKCOM MARK-1S



The MARKCOM MARK-1S Printer

is a printer that is designed with a small size to make it easy to install on the production line.

Simple Operation and Smarter

The embedded linux intelligent operating system provides a professional and user-friendly user interface.

5.0 inch color industrial grade touch screen experience better WYSIWYG editing function is easy to operate. ONE-TOUCH change the print density.

A powerful algorithm for ink drop consumption is embedded to instantly calculate the cost of printing for customers.

Built-in Reliability

It adopts American TI Company AM3358 industrial grade CPU and Xilinx Spant6 grade FGPA. It is more stable and reliable in industrial applications in various working conditions.

The print engine uses TIJ's dedicated ASIC chip to perfectly match HP's original and licensed inks.

Professional ink cartridge preheating algorithm ensures optimum print quality in a variety of high and low temperature environments.

Practical - QR Code

Powerful variable QR function to meet customer's various QR code application requirements.

Efficient and flexible variable database capabilities to meet a variety of traceability applications.

Anti-interference Body

Aviation aluminium anodized body anti-interference ability protection higher level.

Multiple Languages

Support 20 multi-languages and keypad.

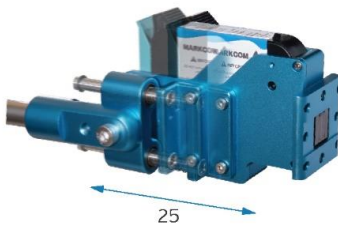
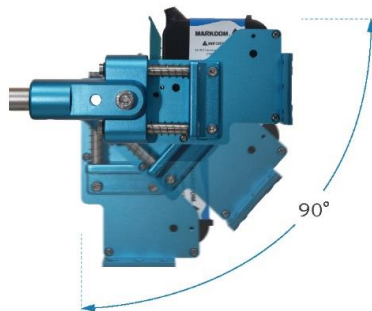
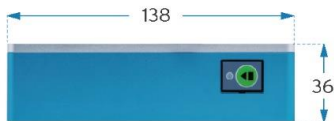
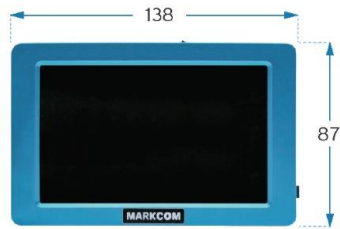
Water Based Cartridge

Save Printing Cost

Up to **40%**



MARK-1S SPECIFICATIONS



Panel Control	5" color touch screen
User Interface	Simple - user friendly UI
Operating System	Embedded Linux operating system
Hardware	American TI AM3358 industrial-grade CPU/USA Xilinx Spant6 industrial-grade FPGA/TIJ dedicated ASIC chip
Communication Interface	USB/RJ45 to RS232
External Interface	Photocell (Included) Optional: -Encoder/reverse inverting control -Tower Light Indicator
Print Engine	TIJ Technology
Message Store Capacity	Up to 1000
Multi-Laguanges	English, Chinese, Arabic, Japanes, Korean, Thai, Vietnamese, French, German, Finnish, Italian, Norwegian, Portuguese, Spanish, Russian, Danish
Indicator	Display alarm indicator
Print Resolution	Resolution up to 600 x 600 DPI (vertical: 100DPI, 150DPI, 300DPI, 600DPI, lanscape: 30-600DPI precision adjustment)
Print Density	1 to 6 one-touch density
Print Speed	406m/90DPI, 304m120DPI, 240m/150DPI, 120m/300DPI, 60m/600DPI (multi-group variable data ultra-high speed response printing)
Print Distance	2 ~ 4 mm
Print Height	12,7mm (0,5") Variable adjustable font size and lines
Print Capability	Alpha numeric, date, time, month code, week code, alpha hours, counter, logos
Barcodes	QR Code, Data Matrix, EAN8, EAN12, Code128, Code39, UPCA, UPCE
Nozzle Type	Thermally foamable head TIJ2.5
Ink Various	Water-based, Solvent-based
Catridge Chip	Non-contact RFID, automatic identification and recording ink
Electirc Requirements	Power adaper 100-240V AC input, 12V 3A DC output
Working Environment	Temperature of 0-45°C / humidity of 30-70% Rh
Weight	800gr
Dimensions	138(L) x 87 (W) x 36 (H) mm
Mounting Orientation	Side (Horizontal) - Downside
Printhead Mounting	Anti-Shock Mechanism

Distributed by:

