

Realize Infinite Possibilities For Building Labeling System

LMFe6000 is a standard model labeling machine of touch panel controller type. The labeling unit adopt module structure and it can meet various needs thanks to optional units.

Color Touch Panel Controller "EUI"

The controller is easy to understand touch panel formula. Simple selection on the touch panel at the time of type switching.

Variety Registration

Such as a label affixed position, setting of each type can be registered. Quick variety switching is possible with EUI.



Color Touch Panel Controller
"EUI"

Auto Tuning

Label stopping position differs by the label length. Auto Tuning function can adjust the position automatically.

Log Information

EUI operated log and error log are kept 3,000 latest each. In case of trouble, you can investigate the cause promptly.

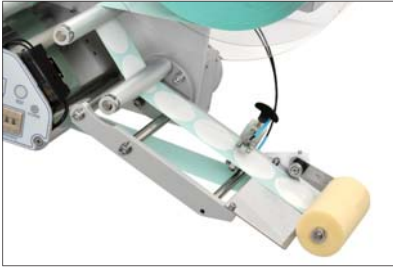
Automatic Speed Detect Function (Optional)

It can automatically detect the product speed without the encoder unit and can be installed into existing conveyor by bolt-on.

Labeling Method Variations

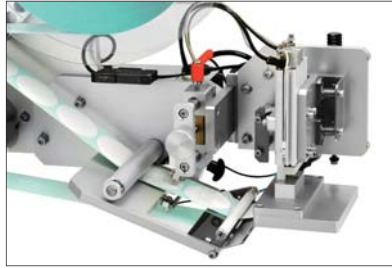
According to the shape of the labeling position and the adherend, you can select a patch method from the following three types. It is possible to set the pasting unit part in the controller of this machine.

Roller Type **LMFe6000-N**



General type of labeling method. It can label on products in motion without stopping. The structure is simple and equipment cost is economical.

Cylinder Type **LMFe6000-A**



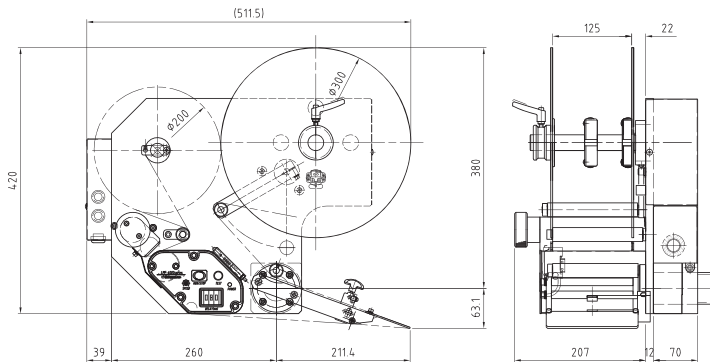
Labeling by extending cylinder arm with label absorbing head. It labels when the product stops moving. It is suitable for jobs requiring accuracy in label position.

Air Blow Type **LMFe6000-B**



Labeling method is non-contact, air blow type. It can surely label on uneven or bumpy product surface.

Outline Dimensional Drawing (LMFe6000)



SPECIFICATION

Model	LMFe6000
Drive Method	Stepping Motor
Labeling Speed	2M/min - 25M/min
Power Supply	AC100V-240V , 140VA
Weight (Main Body)	15kg
Label Specification	Base Paper Width : 18mm - 125mm
	Label Length : 15mm - 200mm
	Maximum Roll Diameter : (O.D) $\phi 300$ mm
	Inside Diameter : (I.D) $\phi 75$ mm
Operating Environment	Temperature : 5°C-40°C Humidity : Under 90%RH (no dew condensation)

The specification may differ from conditions of use. Specification and other information are subject to change without notice.

 **EDM CORPORATION**

5-2,3-Chome Itabashi, Itabashi-ku, Tokyo, Japan

TEL : +81-3-3964-4852 FAX : +81-3-3962-1277

URL : <http://www.edm-net.co.jp/>

Agency